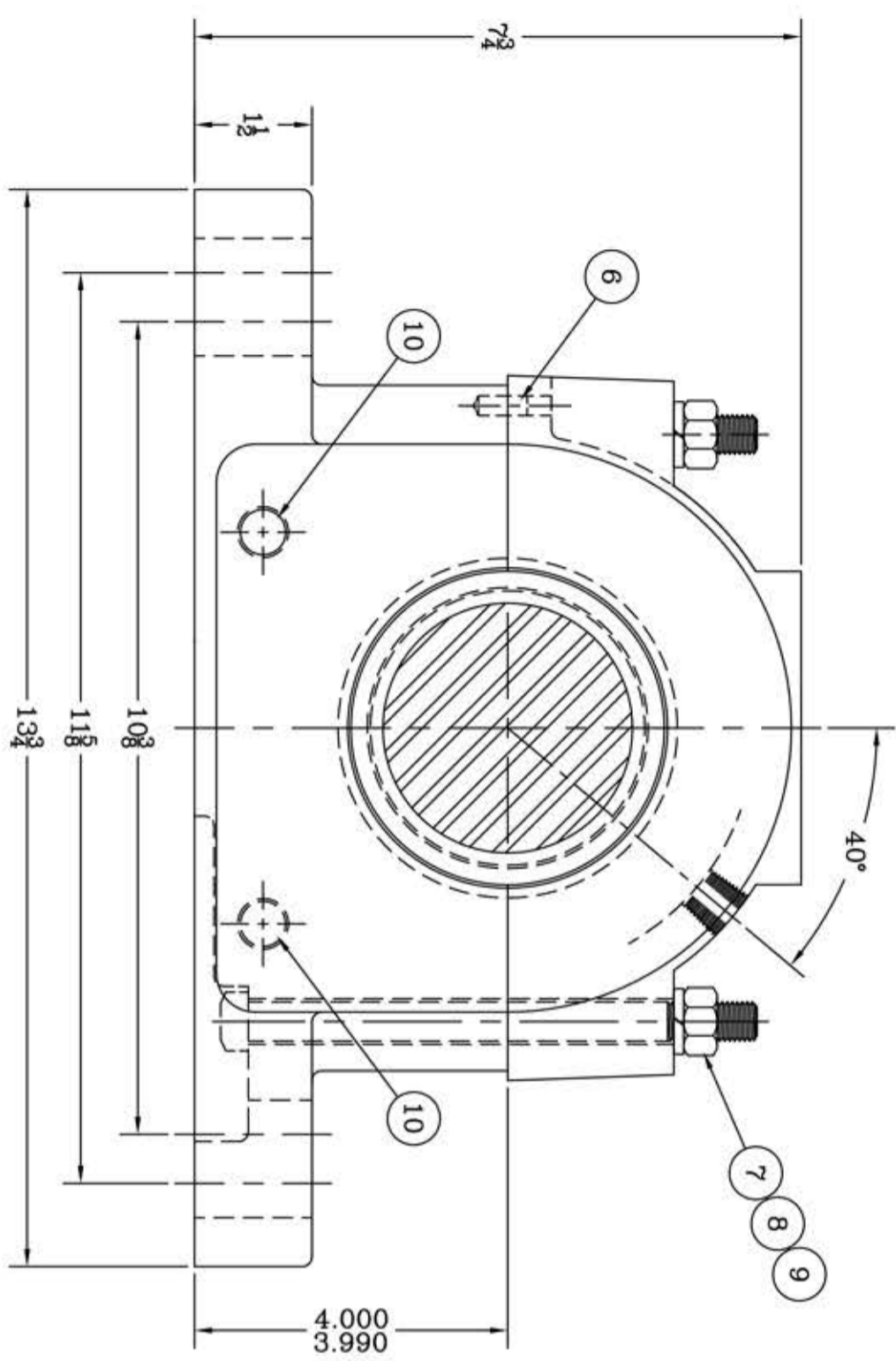
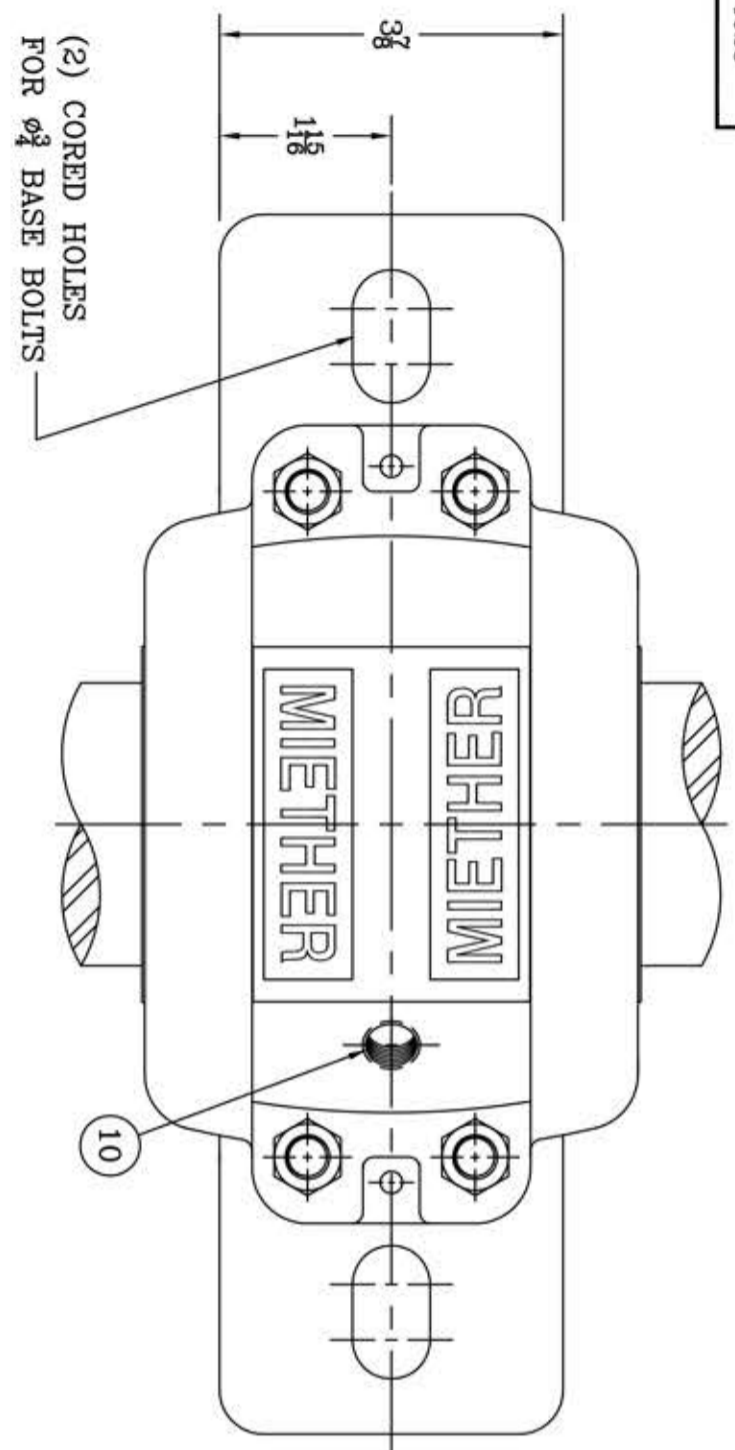
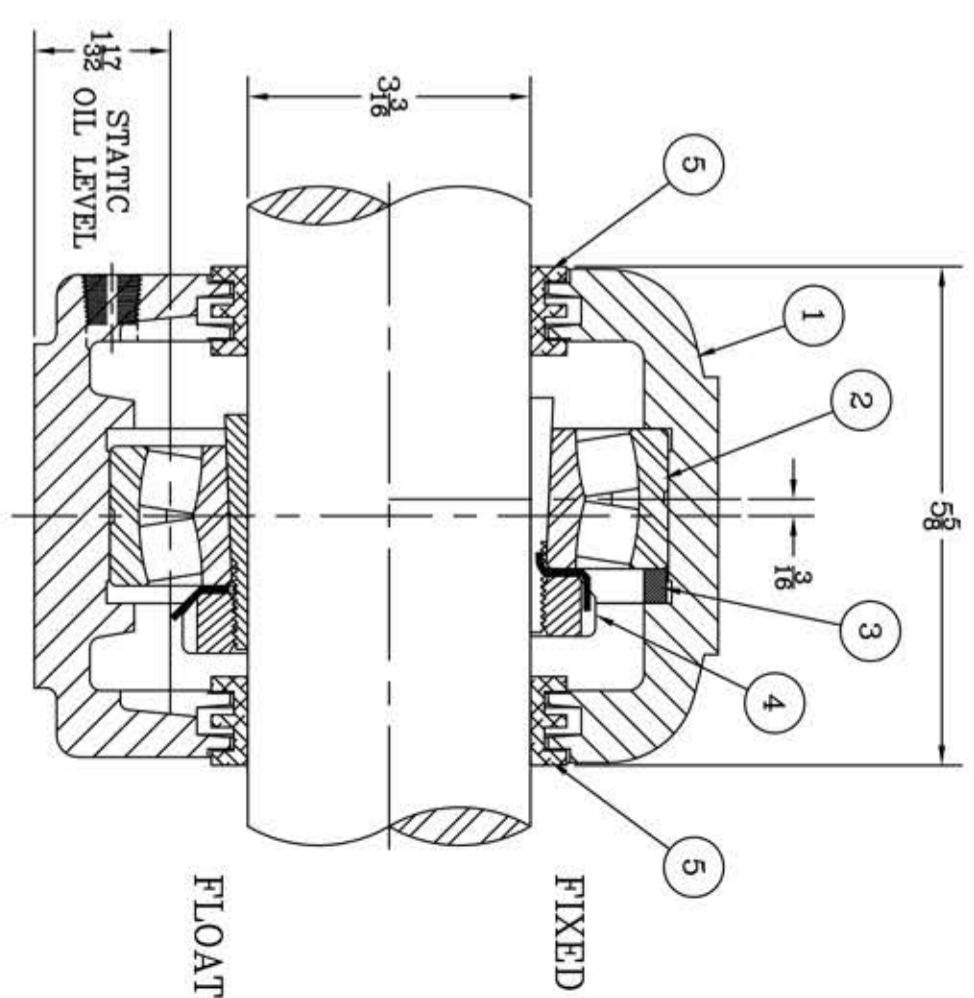


This drawing is the sole property of Miether Bearing Products and contains confidential and proprietary information. It is being provided to you for your use and may not be disclosed to any third party or used for any other purpose without Miether's prior written consent. The [materials] must be returned to the Company upon its demand. Your acceptance of these materials constitutes your acceptance of the foregoing terms.

C-14028



ITEM	DESCRIPTION	DETAIL	REQUIRED
1	HOUSING SAF 518	C-13151-R	1 1
2	SPHERICAL ROLLER BEARING	22218K/W-33	1 1
3	STABILIZING RING SR-18-15	A-10601	1 0
4	ADAPTER SNW-18 03-03	B-24413	1 1
5	TRIPLE SEAL RING LER-188	A-11797	2 2
6	DOWEL	Ø¼ x ⅝ LONG	2 2
7	CAP BOLT SQUARE HEAD	½-13 NC x 6½" LONG	4 4
8	CAP BOLT HEX. NUT	½-13 NC	4 4
9	LOCKWASHER	½ SPLIT MED.	4 4
10	PIPE PLUG	¾-18 NPT	3 3



REDRAWN FOR CONFORMITY
RWB per KAB
1-20-04

REVISIONS

SYMBOL	DESCRIPTION
✓C	16
✓D	32
✓E	63
✓F	125
✓G	250
✓J	500
✓K	1000

TOLERANCE: UNLESS OTHERWISE SPECIFIED
FRACTIONS ± 1/32"
DECIMALS ± .005"
CASTING ± 1/16"
WELD ± 1/16"
ANGLES ± 0°-30°

A.I.S.I. STANDARD FINISHES

SAF 22518 03-03
ASSEMBLY DRAWING

SCALE 1 = 1.5
DRAWN BAB
DATE 2/19/88
CHK:

AN ALCO INDUSTRIES COMPANY
BEARING PRODUCTS
ODESSA, TX. USA

ASSEMBLY NO.
DRAWING NO.
C-14028